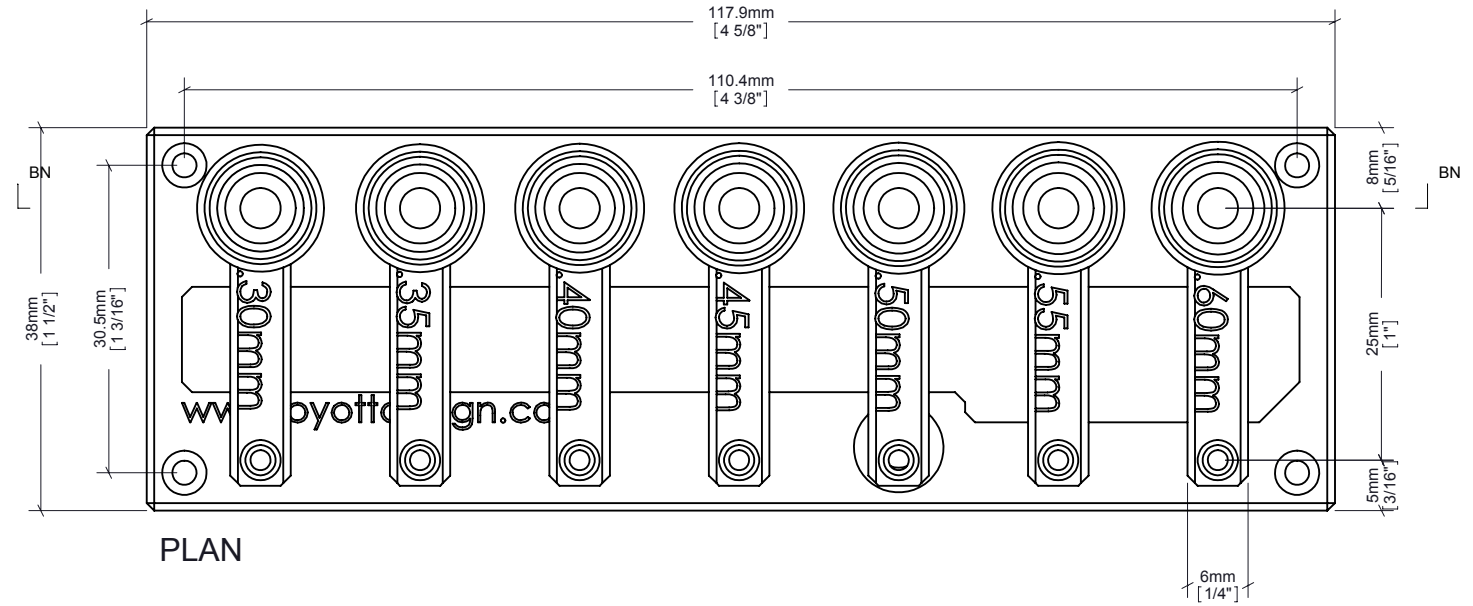
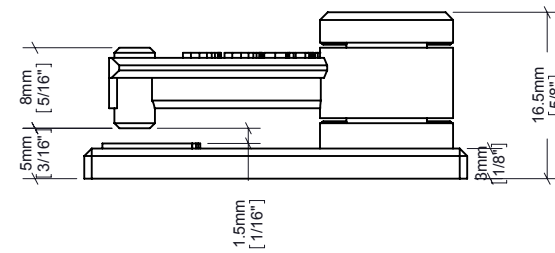


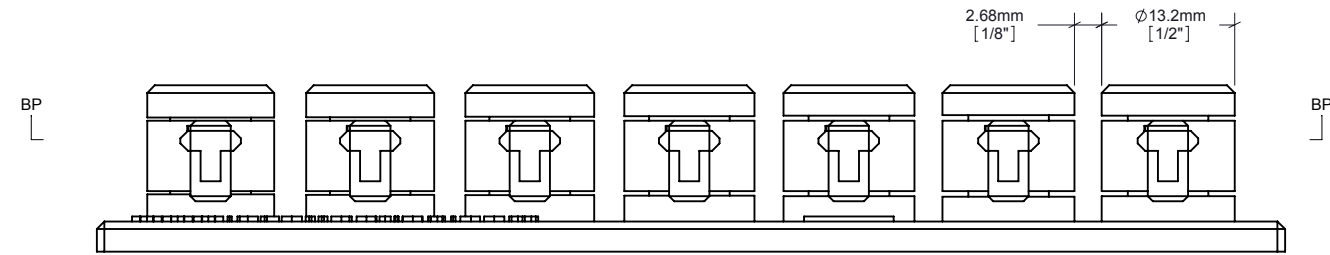
3D VIEW



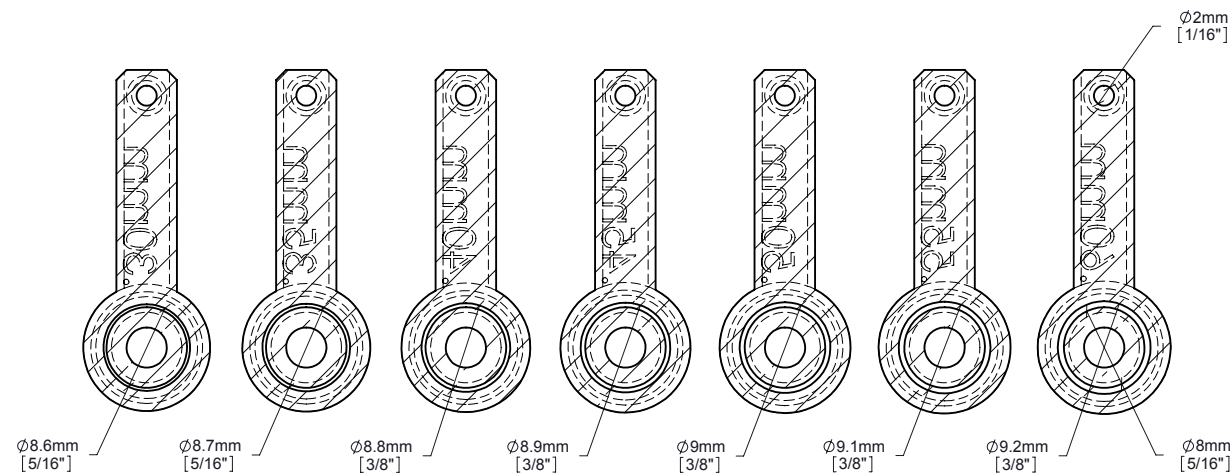
PLAN



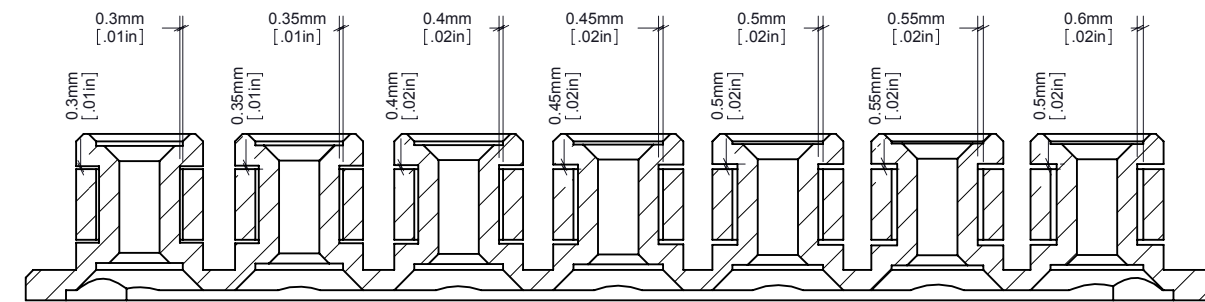
SIDE ELEVATION



FRONT ELEVATION



SECTION BP
SCALE 1 : 0.75



SECTION BN
SCALE 1 : 0.75

ISSUED FOR:	DATE:	BY:
ISSUED FOR RELEASE	03.01.2013	CLP

PROJECT CLASS:
TEST BOARD / PROBE

ITEM NAME:
LARGE PIVOT HINGE BOARD

DESCRIPTION:
8MM PIN - .3MM TO .6MM SPACING - .05MM STEPS

SPECIFICATIONS:
TESTBED FOR PRINTING
MATERIAL AND METHOD NOT SPECIFIED

JOB NO.:	CLIP
ITEM NO.:	08 0.3-0.6 0.05
DRAWN BY:	CLP
DATE:	01.01.2013
SCALE:	NTS
DRAWING NO.:	