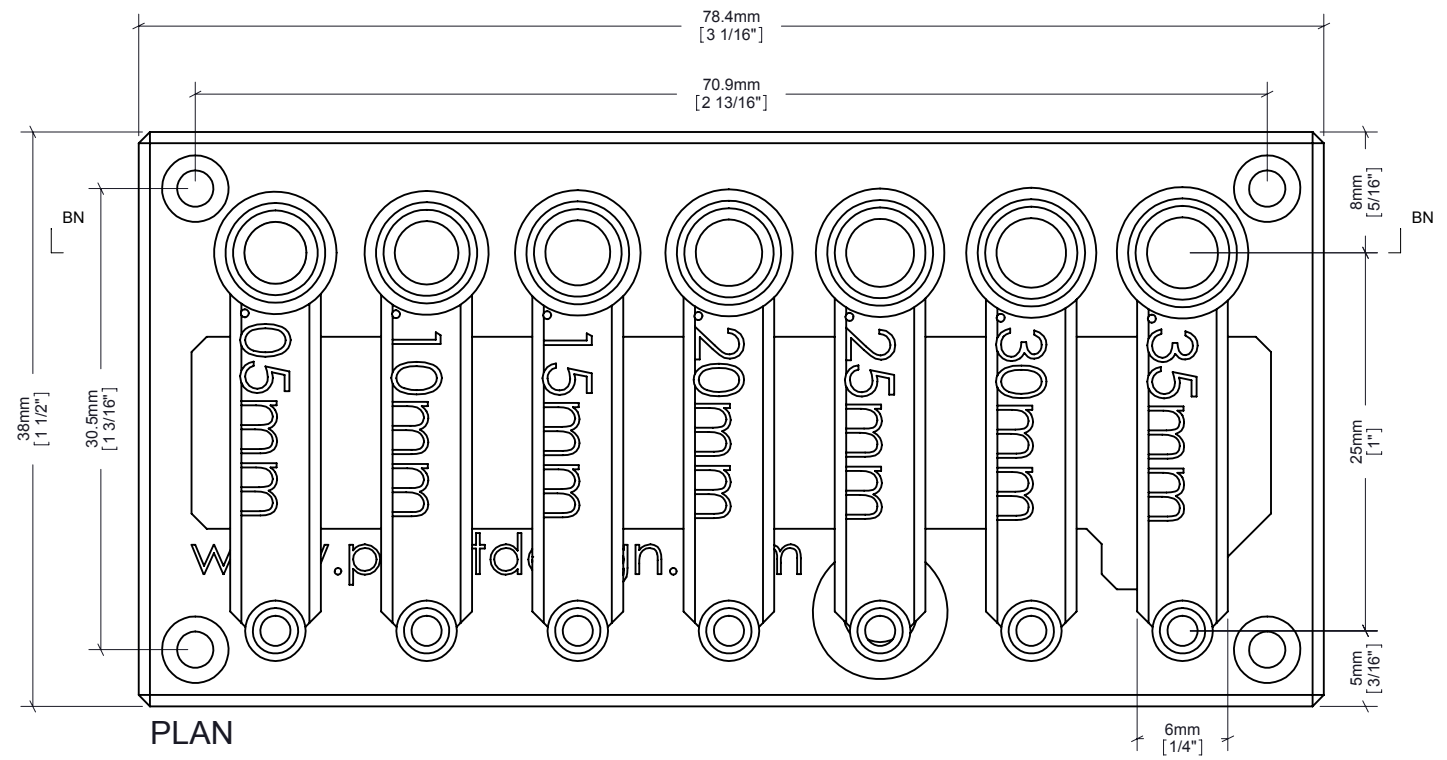
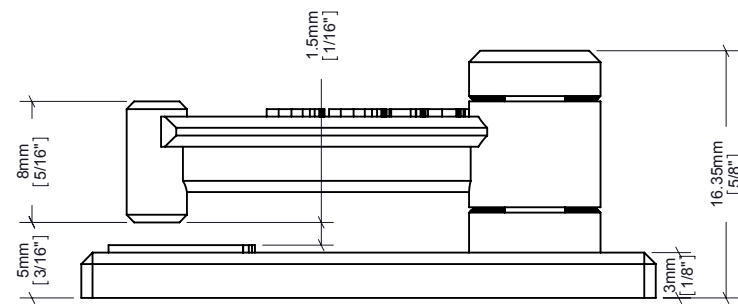


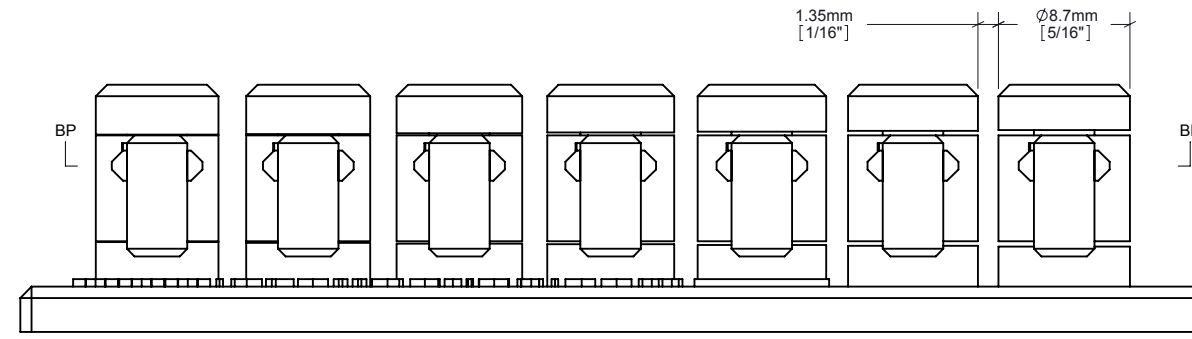
3D VIEW



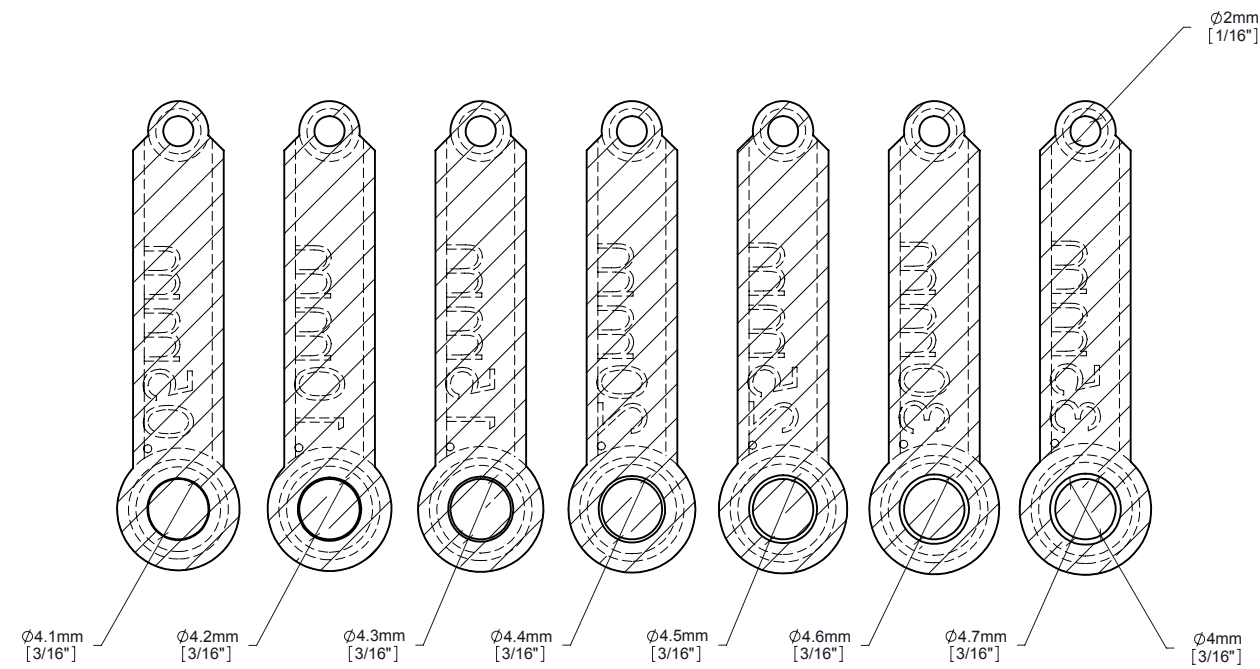
PLAN



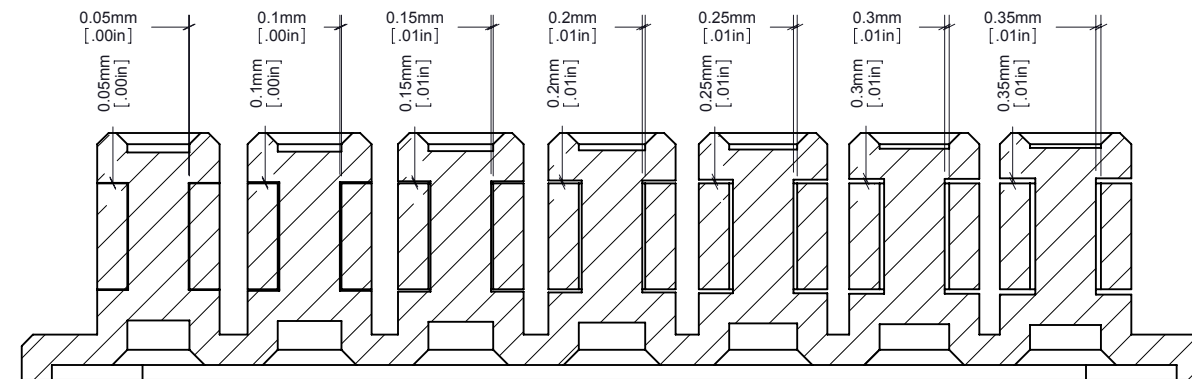
SIDE ELEVATION



FRONT ELEVATION



SECTION BP



SECTION BN

ISSUED FOR:	DATE:	BY:
ISSUED FOR RELEASE	03.01.2013	

PROJECT CLASS:
TEST BOARD / PROBE

ITEM NAME:
TIGHT TOL. MEDIUM PIVOT HINGE BOARD

DESCRIPTION:
4MM PIN - .05MM TO .35MM SPACING - .05MM STEPS

SPECIFICATIONS:
TESTBED FOR PRINTING MATERIAL AND METHOD NOT SPECIFIED

JOB NO.	CLIP
ITEM NO.	4.05-0.35 .05
DRAWN BY:	CLP
DATE:	01.01.2013
SCALE:	NTS
DRAWING NO.:	

4.05.35.05. 1