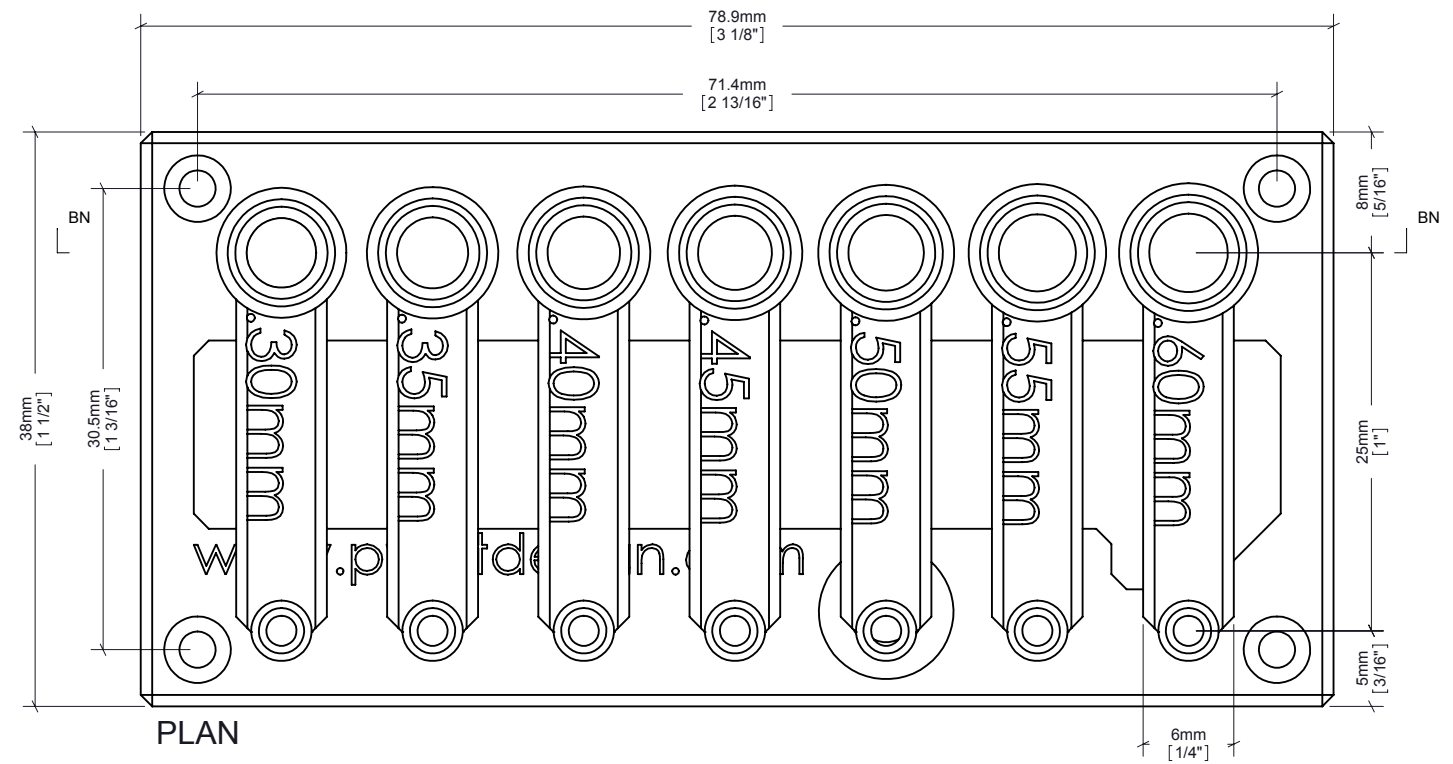
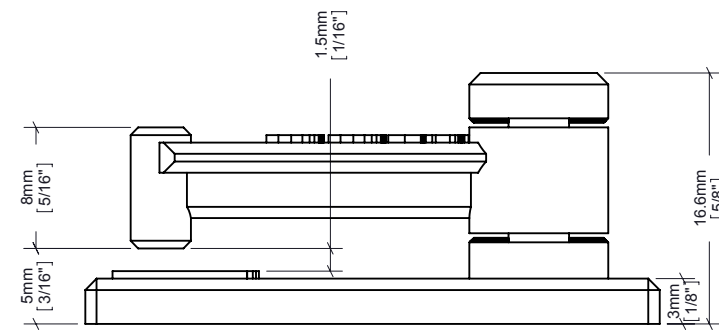


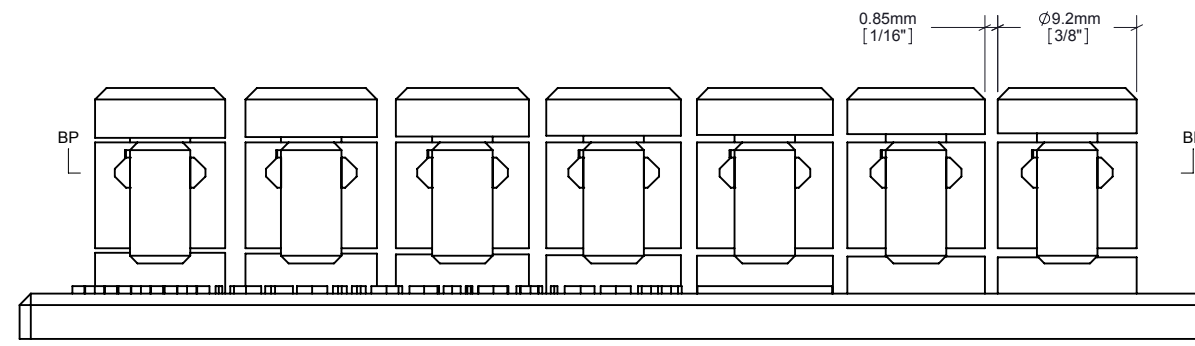
3D VIEW



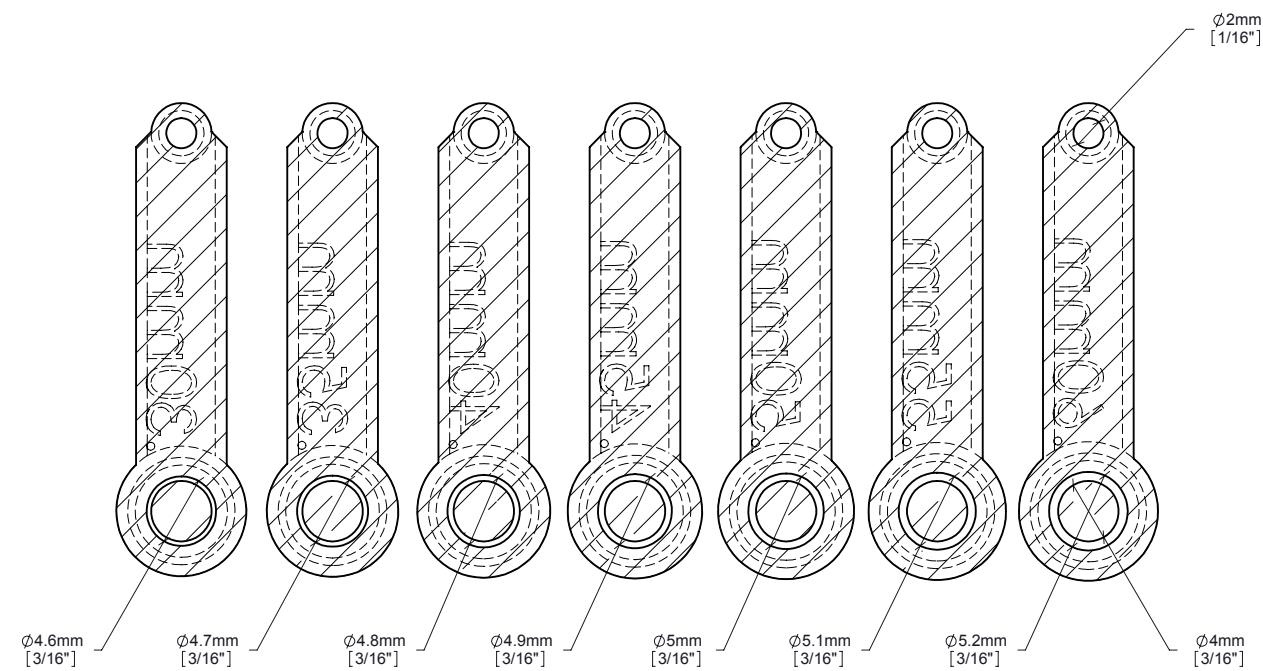
PLAN



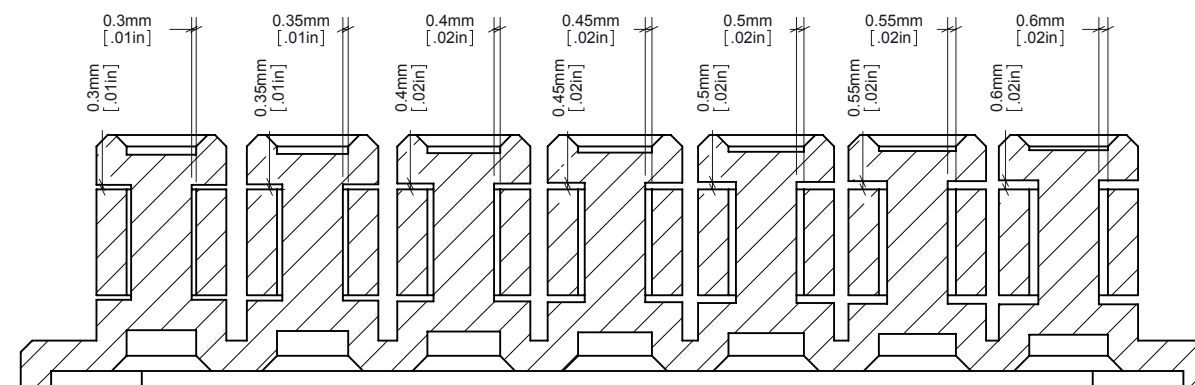
SIDE ELEVATION



FRONT ELEVATION



SECTION BP



SECTION BN

ISSUED FOR:	DATE:	BY:
ISSUED FOR RELEASE	03.01.2013	CLP

PROJECT CLASS:
TEST BOARD / PROBE

ITEM NAME:
MEDIUM PIVOT HINGE BOARD

DESCRIPTION:
4MM PIN - .3MM TO .6MM SPACING - .05MM STEPS

SPECIFICATIONS:
TESTBED FOR PRINTING
MATERIAL AND METHOD NOT SPECIFIED

JOB NO.: CLIP

ITEM NO.: 04 0.3-.06 0.05

DRAWN BY: CLP

DATE: 01.01.2013

SCALE: NTS

DRAWING NO.:

8.3.6.05. 1